

# G.C.C

DENOMINATION

**Drujba Vip004 75cl**

MODEL Nr

**527**

Mold. N° 00

TECHNICAL DATE

Capacity: 750±10 ml

Capacity Brimf: 774±10ml

Weight: (grs.) 440

Finish :

Colour: Green, FM

Thickness of the glass bottle walls:  
not less than 1.2mm.

Thickness of the glass bottle bottom:  
not less than 2.4mm.

USE LIMITS

Carbonated level :  
Termoshock: not less than 40°C:

Pressure max (bar):  
not less than 5

Axial loading max.(kg.)  
Vertical durability max.(kg)

TOLERANCES (mm)

Verticality: ± 3.3

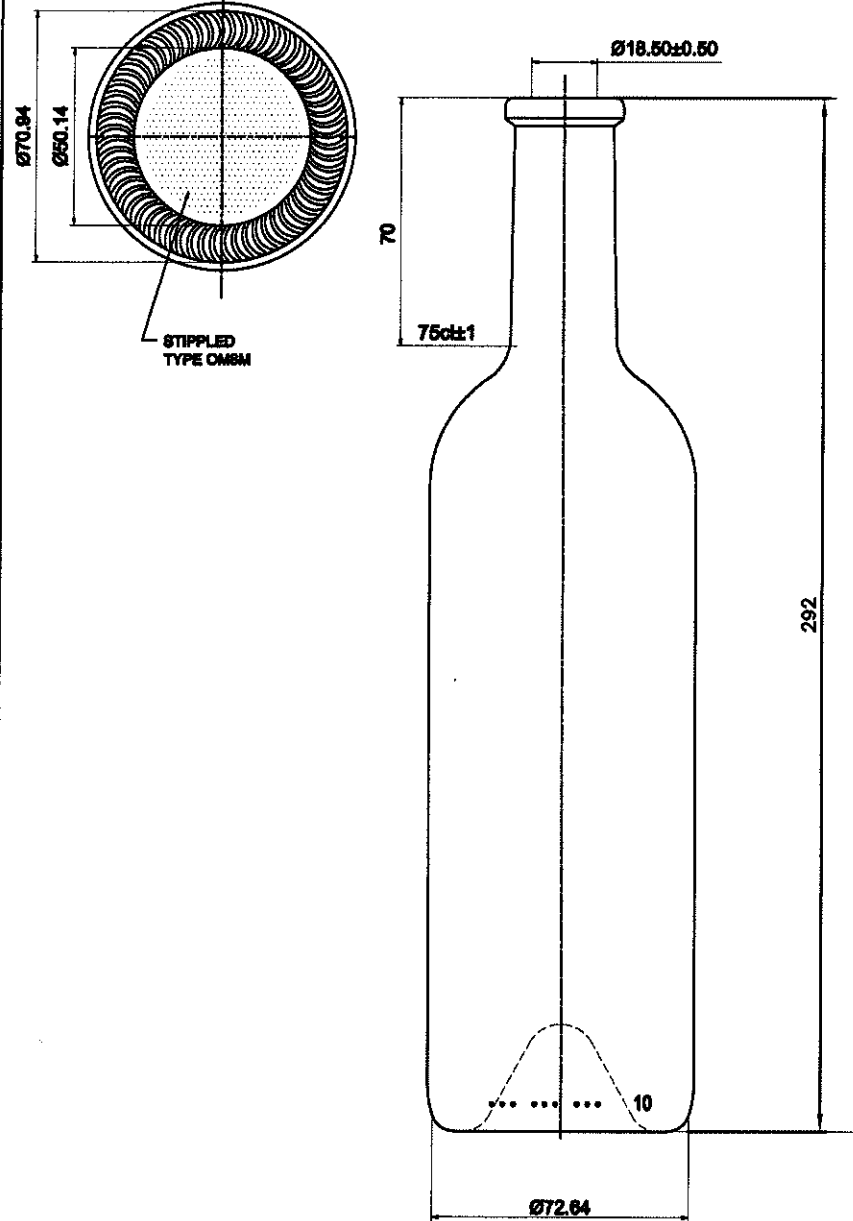
Height: ± 1.8

Diameter: ± 1.5

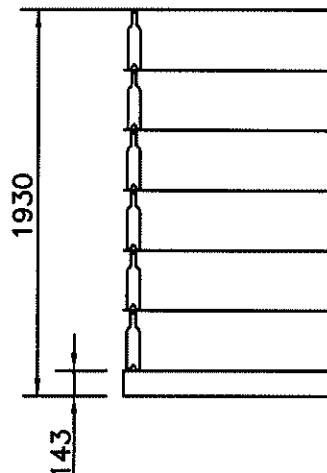
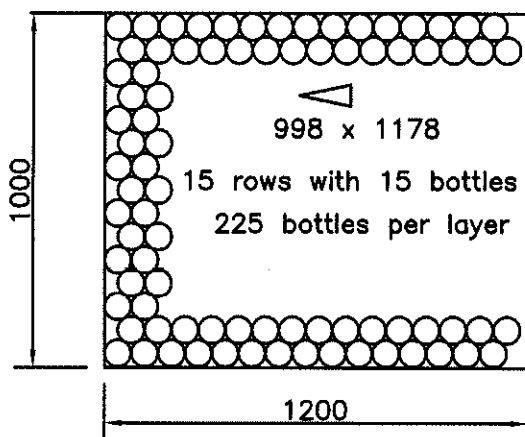
SURFACE TREATMENT

Hot end coating : yes

Cold end coating : yes



LAYOUT OF BOTTLES IN A PALLET



Nr of layers in a pallet: 6  
Nr of bottles in a pallet : 1350  
Pallet weight (Kg): 660

Pallet : 1200x1000  
Lower tray : 1050x1200  
Middle tray : 1050x1200  
Cover: Cardboard  
Wrappage : shrinkwrap film

02.02.2007